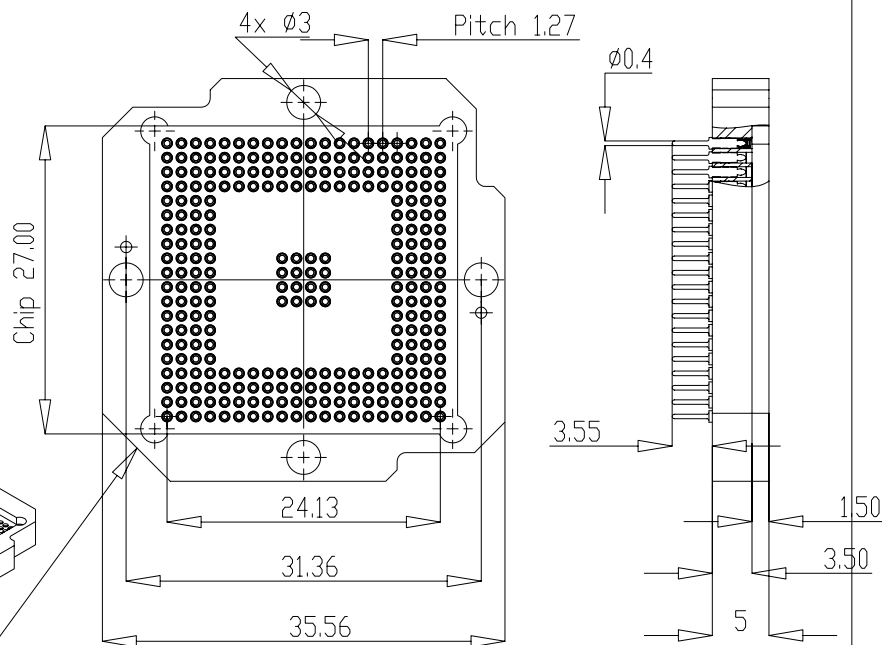


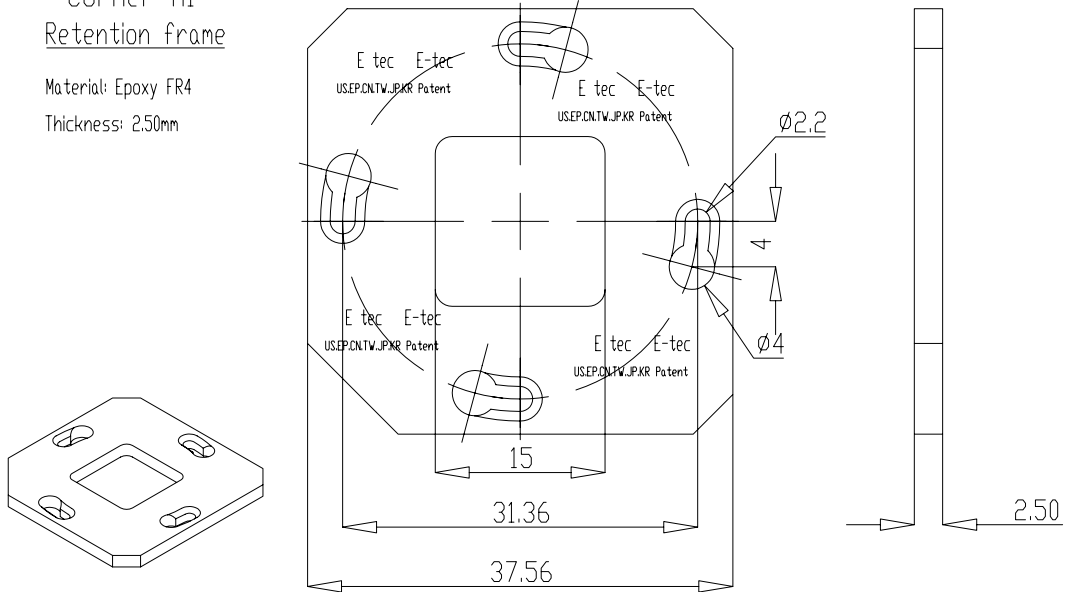
THE DRAWINGS AND INFORMATION CONTAINED HEREIN ARE THE EXCLUSIVE PROPERTY OF ACTEL. THE INFORMATION, DRAWINGS AND DESIGN CONCEPTS CONTAINED HEREIN ARE CONFIDENTIAL/PROPRIETARY, SHALL BE MAINTAINED IN STRICT CONFIDENCE, AND SHALL NOT BE RELEASED TO ANY THIRD PARTY WITHOUT THE EXPRESS WRITTEN PERMISSION OF ACTEL.

ECN NO.	REV.	DESCRIPTION OF CHANGE	EFFECTIVE DATE	ORIGINATOR
2007379	0	initial	06/15/2007	Lijie Zhao

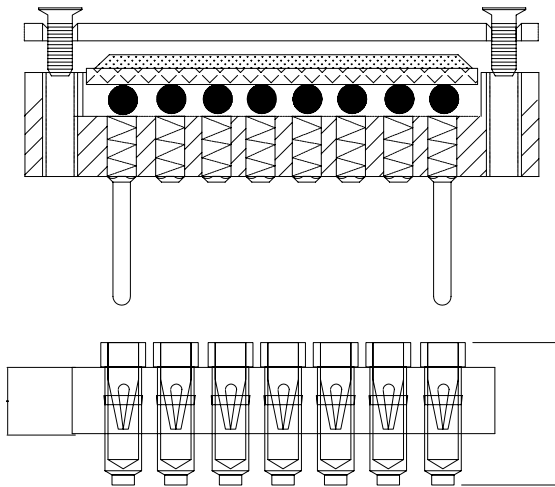
Socket
Material: TG 200
Thickness: 5.00 mm
272 contacts



"Corner A1" Retention frame
Material: Epoxy FR4
Thickness: 2.50mm



ASSEMBLY FLOW
↓
Retention Frame
↓
BGA PACKAGE
↓
BGA SOCKET
SE-BGG272-A
↓
BGA ADAPTER SOCKET
(see SM-BG272-B)
↓
PCB BOARD



Torque Limiting Screw Driver

SOCKET TO PCB(solder joints) Solder past thickness need to be at least 0.20mm(or0.008 inch) in order to have reliable solder joint

Please see detail drawing for part number
Use removal tool from Mill-Max

- Note: Dim: mm
- To remove BGA socket from adapter socket,
 - Mill-Max phone: 516-922-6000
 - Refer E-Tec "Screw Lock Type Instruction" for more information.
 - Must use torque limiting screw driver to tighten screws (refer Mountz minimaster 020074 gold, preset 7cN.m/10ozf.in). Under torque limit tighten could fail continuity and over torque limit tighten could crack package .

E-TEC PART#: BPW272-1270-20AC55

Rév.1	Diamètre 0.42 au lieu de 0.40					L.G 19.06.07
UNLESS OTHERWISE SPECIFIED DIMENSIONS ARE IN MILLIMETERS SURFACE FINISH: GENERAL TOLERANCES: ±0.10 LINEAR: ANGULAR: "top view drawing"						
Remarks: BGA Twist Lock socket, 272 pins, Pitch 1.27mm, matrix 20x20 Retention frame, Basic system 21x21						
C=Positioning frame: 1.50mm thickness *replace rév.0						
Modification	Visa	Date	Drawn by	Date	Name	www.e-tec.com
DRAWN	X1	L.G	19.06.07	L.G	10.03.06	
CHK'D						TITLE: BPW272-1270-20AC55
APPV'D		K.S	19.06.07			A4V
MFG						DWG NO. BPW0272-12-09705-20ACA
QA						1
The information contained in this drawing is proprietary to E-tec and shall not be reproduced or disclosed in whole or in part or used for any design or manufacture except where such user possesses direct, written authorization from E-tec						
G:\Konstruktion\ Dessins Solidworks\ Dessins\BGA\BPW\BPW272\BPW0272-12-09705-20ACA\BPW0272-12-09705-20ACA						

E-TEC PATENTS PENDING

UNLESS OTHERWISE SPECIFIED DIMENSIONS ARE IN MILLIMETERS DECIMAL X.X ±0.10 X.XX ±0.05 X.XXX ±0.03 ANGULAR ±1°	PROJECTION			
	APPROVALS	DATE		
DRAWN	Lijie Zhao	06/15/2007	ACTEL CORPORATION 2061 Stierlin Court Mountain View, CA 94043-4655	
CHECKED			TITLE SE-BGG272-A, E-tec lead free prototype socket drawing for BG456 amd BGG456 packages	
ENG'R			VENDOR NAME: E-TEC	ACTEL DWG. NUMBER 1-07-09064
RELEASED			SIZE B	VENDOR DWG. NUMBER
MATERIAL	SEE NOTES		VENDOR SID(PART) NUMBER BPW272-1270-20AC55	REV 0
FINISH	SEE NOTES		Actel Part#: SE-BGG272-A	REV
DO NOT SCALE DRAWING			SCALE: NONE	SHEET 1 OF 1